

REED

LOVA *Guncrete* GUNITE MACHINE

Air Driven Dry-Mix Shotcrete Machine



The LOVA Gunite Machine provides a steady flow of material which allows uniform hydration and very smooth placement.

The adjustable output of material may be increased without sacrificing the quality of the application. The compact LOVA is capable of spraying through hoses from 1" to 2" (25 to 50 mm) inside diameter.

LOHE (Electric version) uses an electric motor to rotate the machine's feed bowl. (Air required to convey material)

Made in the U.S.A. with the highest quality components and craftsmanship, REED has offered the most rugged and reliable Gunite Machines on the market for nearly 60 years.

Standard Features:

- Direct Drive 5HP Air Motor (LOVA 8)
- Direct Drive 9HP Air Motor (LOVA 16)
- Continuous Feed Hopper (3 designs)
- Bag Breaker Included
- 2 or 5 Blade Material Agitator
- Direct Drive 5HP Electric Motor (LOHE)
3 Phase, 50Hz or 60Hz, 220/230v, 360/380v, 440/460v, 575v available

Optional Features:

- Bulk Bag Adapter / Safety Hood
- Ultralight Non-Stick Rotary Feed Wheel
- Skid Mounting
- Hydraulic Drive

Applications:

- **Structural Concrete Repair**
- **Refractory Spraying**
- **Rockscaping**
- **Bridge Repair**
- **Slope Stabilization**
- **Tunnels and Mine Support**
- **Pools and Spas**
- **Channels**
- **Piers and Sea Walls**
- **Highway Renovations**
- **Sewers and Ditches**
- **Retaining and Fire Walls**
- **Dams and Reservoirs**
- **Sand and Gravel Backfill**
- **Concrete Pipe Lining**
- **Ditches**



LOHE model above requires 90cfm less compressed air than LOVA

LOVA *Concrete* GUNITE MACHINE

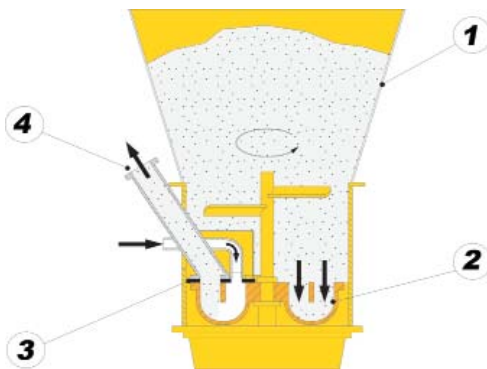
Air Driven Dry-Mix Shotcrete Machine

LOVA CONFIGURATIONS- Large Open Vertical-Feed Air Powered

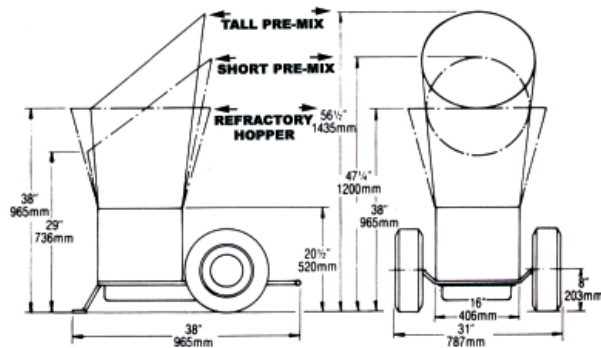
Feed Bowl #Pockets	Hose Size (I.D.)	Maximum Aggregate Size	Air Compressor (Recommended size at 100 psi)	Maximum Output**	Common Applications
1 30	1" (2.5cm)	1/8" (3.5mm)	210 cfm (6.0m ³ /min) 8AM 300 cfm (9.0m ³ /min) 16AM	2yd ³ /hr (1.5m ³ /hr)	fine, detailed artistic work, rockscaping, patch repair
2 21	1 1/4" (3.2cm)	1/4" (7mm)	315-375 cfm (9-11m ³ /min) 8AM 375-450 cfm (11-13m ³ /min) 16AM	5yd ³ /hr (3.8m ³ /hr)	Refractory spraying, repair work, smooth finish
3 21	1 1/2" (3.8cm)	3/8" (10mm)	375-450 cfm (11-13m ³ /min) 8AM 450-600 cfm (13-17m ³ /min) 16AM	6yd ³ /hr (4.6m ³ /hr)	Refractory spraying, repair work, smooth finish
4 20	1 1/2" (3.8cm)	1/2" (13mm)	375-450 cfm (11-13m ³ /min) 8AM 450-600 cfm (13-17m ³ /min) 16AM	8yd ³ /hr (6.1m ³ /hr)	Civil Construction, Higher-Volume Refractory spraying, smooth finish
5 15	2" (5cm)	1/2" (13mm)	450-600 cfm (13-17m ³ /min) 8AM 600-750 cfm (17-21m ³ /min) 16AM	12yd ³ /hr (9.2m ³ /hr)	Civil Construction Concrete Spraying,
6 15L.A.	2" (5cm)	5/8" (16mm)	450-600 cfm (13-17m ³ /min) 8AM 600-750 cfm (17-21m ³ /min) 16AM	12yd ³ /hr (9.2m ³ /hr)	Swimming Pool Construction, conveying aggregate for backfill, civil construction
7 12	2" (5cm)	5/8" (16mm)	450-600 cfm (13-17m ³ /min) 8AM	12yd ³ /hr (9.2m ³ /hr)	Swimming Pool Construction

Subtract roughly 90 SCFM (2.5M/MIN) from air requirement if LOHE (electric) model is used. Additional air may be required depending on altitude and atmospheric pressure.

Operating Principle:



1. The dry material is fed through the hopper down into the pockets of the rotary feed wheel below.
2. The rotary feed wheel, driven by a heavy-duty oil bath gear drive, rotates the mix under the conveying air inlet and material outlet.
3. With the introduction of compressed air, the mix is evacuated from the feed wheel pockets, then traveling through the outlet and into the hoses.
4. The dry mix material is then conveyed in suspension through hoses to the nozzle, where water is introduced and the water and dry material mix.



LOVA Dimensions Shown Above (LOHE Dimensions vary)

MODEL LOVA 8 / LOVA 16 / LOHE

Maximum Horizontal Conveying Distance	ft	1000+
	m	305+
Maximum Vertical Conveying Distance	ft	300+
	m	91+
Drive System	LOVA 8	5 hp Air Motor, Direct Spur Gear Drive
	LOVA 16	9 hp Air Motor, Direct Spur Gear Drive
	LOHE	5 hp Electric Motor, Direct Spur Gear Drive

		LOVA 8	LOVA 16	LOHE
Gross Weight (Approx.)	lb	635	699	845
	kg	288	312	384

Maximum theoretical performance shown above. Actual performance will vary depending on slump, mix design and delivery line diameter. Specifications subject to change without prior notice.

Genuine REED Quality